



micros
A U S T R I A

MC20i

VIOLA

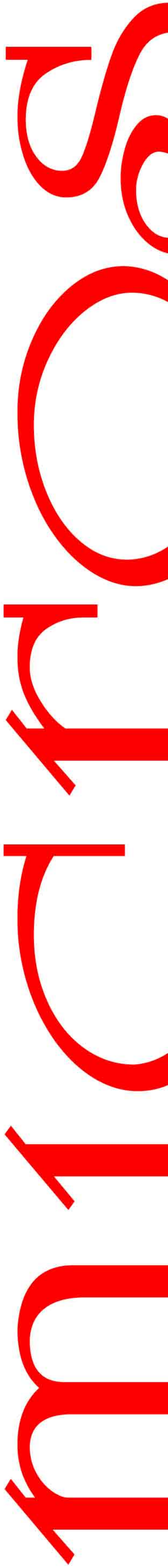
Binocular Microscope

Viola MC20i



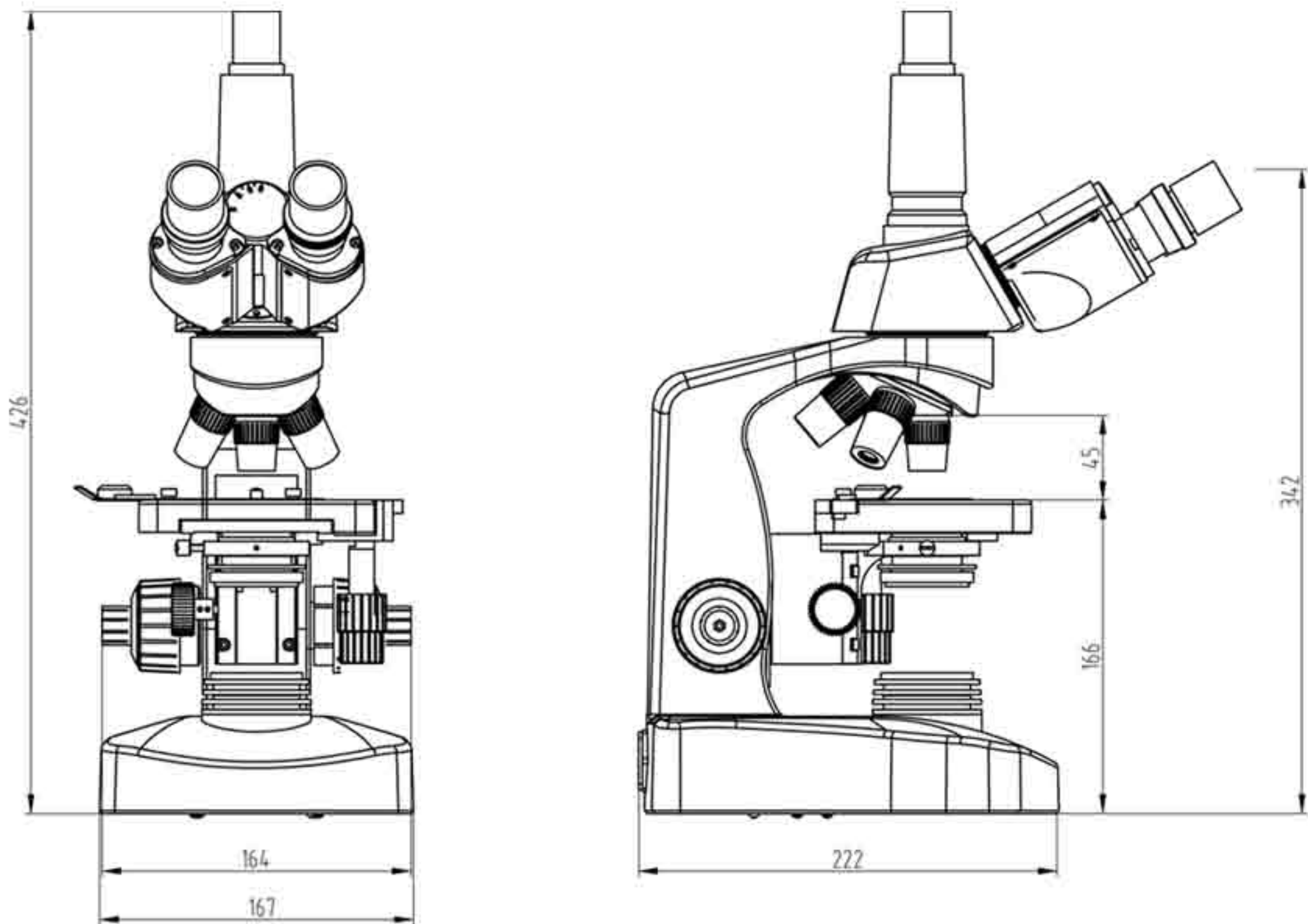
Trinocular

micros
AUSTRIA



		Binocular	Trinocular
Viewing Head	Binocular Archtype Siedentopf Head, 30° inclined Interpupillary Distance 48-75mm	●	
	Trinocular Archtype Siedentopf Head, 30° inclined Interpupillary Distance 48-75mm, Beamsplitter		●
Eyepiece	Eyepiece Widefield WF10x/18	●	●
Nosepiece	Backward Quadruple Nosepiece	●	●
Objective	S-Plan Achromatic Objective: 4x/0.10 10x/0.25 40x/0.65 100x/1.25	●	●
Stage	Double Layers Mechanical Stage 132x142 mm/72x35mm	●	●
Condenser	Abbé nA 1.25 with iris Diaphragm & Filter	●	●
Focusing	Coaxial Coarse & Fine Adjustment System, Range 24mm, Fine Division 0.004mm	●	●
Illumination	LED 3W, Brightness Adjustment	●	●
Accessories	immersion oil, instruction manual	●	●

Specifications Viola MC20i



Binocular Archtype Siedentopf Head
Inclined at 30°
Interpupillary Distance 48-75mm



Eyepiece Widefield WF10x/18
To make communication
much more effective

Viola MC20 i...

... is a high-capacity binocular microscope which is easy to handle and offers at the same time high quality at a reasonable price. This high-grade microscope is qualified for many different fields of work such as education, hobby or professional uses. It features a binocular head which is inclined at 30°. The eyepieces WF10x/18 allow easy and convenient observation with eyeglasses and the illumination is provided by a bright white, long-life 3W LED lamp. The high quality of the images and the instrument itself guarantees the user that submerging into the unknown will be a delight for many years to come.

Microscopes design developed by MICROS AUSTRIA. Specifications and equipment are subject to change without any obligation on the part of the manufacturer.

micros

MICROS AUSTRIA

Hunnenbrunn/Gewerbezone 5
9300 St.Veit/Glan
AUSTRIA
Tel: +43/4212/30901
Fax: +43/4212/3090190
office@micros.at
www.micros.at



Royal Microscopical Society



European Microscopy Society

